

INTEC SYSTEMS

PADDELEGATES

Our PaddleGate is a robust alternative to turnstiles, providing access for wheelchairs, buggies and ambulant disabled people, who would once have needed a separate specialist gate.

The PaddleGate provides an alternative to turnstile based access – the paddles open instantly upon insertion of a coin or presentation of a swipe card, and the stainless steel and vandal proof construction means that it can easily withstand the rigours of intensive day-to-day usage.

As the Paddles open fully in less than one second, the user throughput is faster than with turnstiles – providing a completely clear way ahead, then closing quickly and safely.

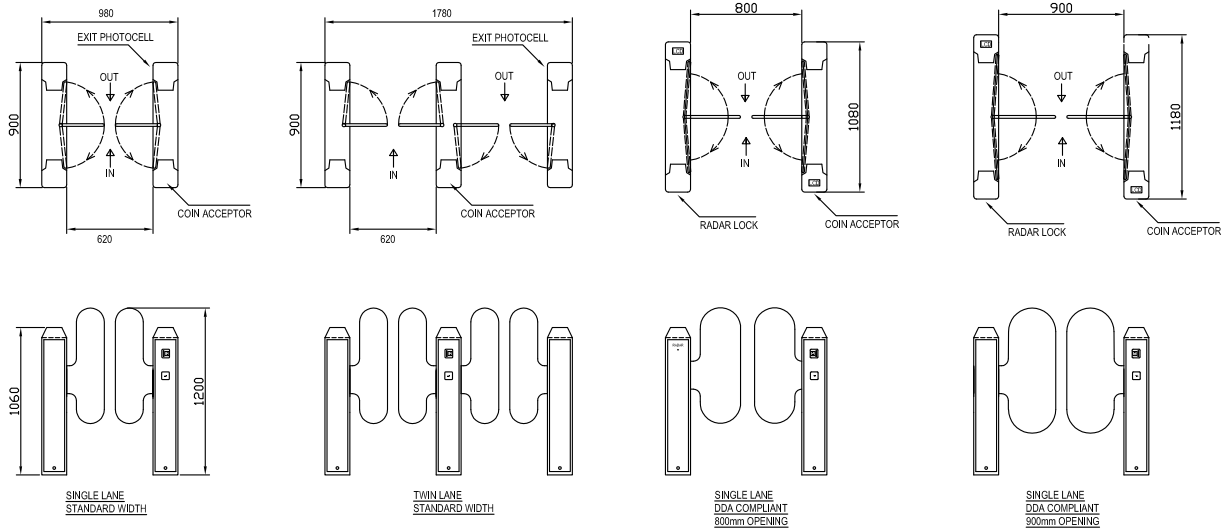


The PaddleGate is designed with customer safety in mind – pedestrian sensors ensure that the gates close promptly but safely, and the intelligent motor controller and bevelled edge paddle ensure that any 'tailgaters' are dealt with safely.

The fully integrated cash collection system allows revenue to be collected securely, with user and operator feedback provided via the display or optional printer. The 2mm stainless steel door and the tamperproof, self-locking cashbag virtually eliminate theft. A GSM option is available to upload audit and usage information to a secure website for remote viewing, sending alerts when the cashbag is approaching its capacity.



INTEC SYSTEMS PADDLEGATES



	Intec Systems Ltd 3 Queens Road Portishead BS20 8HT Tel: 01275 390 383 info@intecld.co.uk	Drawing No. Rev A	Date 19/12/14
	PADDLEGATE STANDARD LAYOUTS	Drawing Title	

NOTES

1. POWER SUPPLY FOR EACH PADDLEGATE: SINGLE PHASE, 230V, 3A SUPPLY PROTECTED BY A TYPE C MCB.

© Intec Systems (UK) Ltd 2015



TECHNICAL INFORMATION

Supply voltage / current: 230v ac, 3A
 Operating voltage: 24v dc / 12v dc / 5v dc
 Operating temperature: -15 to 50 °c
 IP rating: IP54
 Operator interface: Buttons and LCD
 External interfaces: Emergency open fire interface, dry contact, RS232, GSM
 Opening time: 1 – 2 seconds

Cash capacity: £200 at 20p tariff
 Coin validator: Fully programmable, with 12 programmable coin / token channels
 Door lock: High security tubular tumbler lock with copy restricted key
 Cash bag: Self locking tamper proof cashbag with copy restricted key (different key to door)

